

BUSTER+PUNCH

LONDON

[product.

DOOR HANDLE / CONVENTIONAL

[type. **CONVENTIONAL DOOR HANDLE.**]

[range. **DOOR HARDWARE.**]

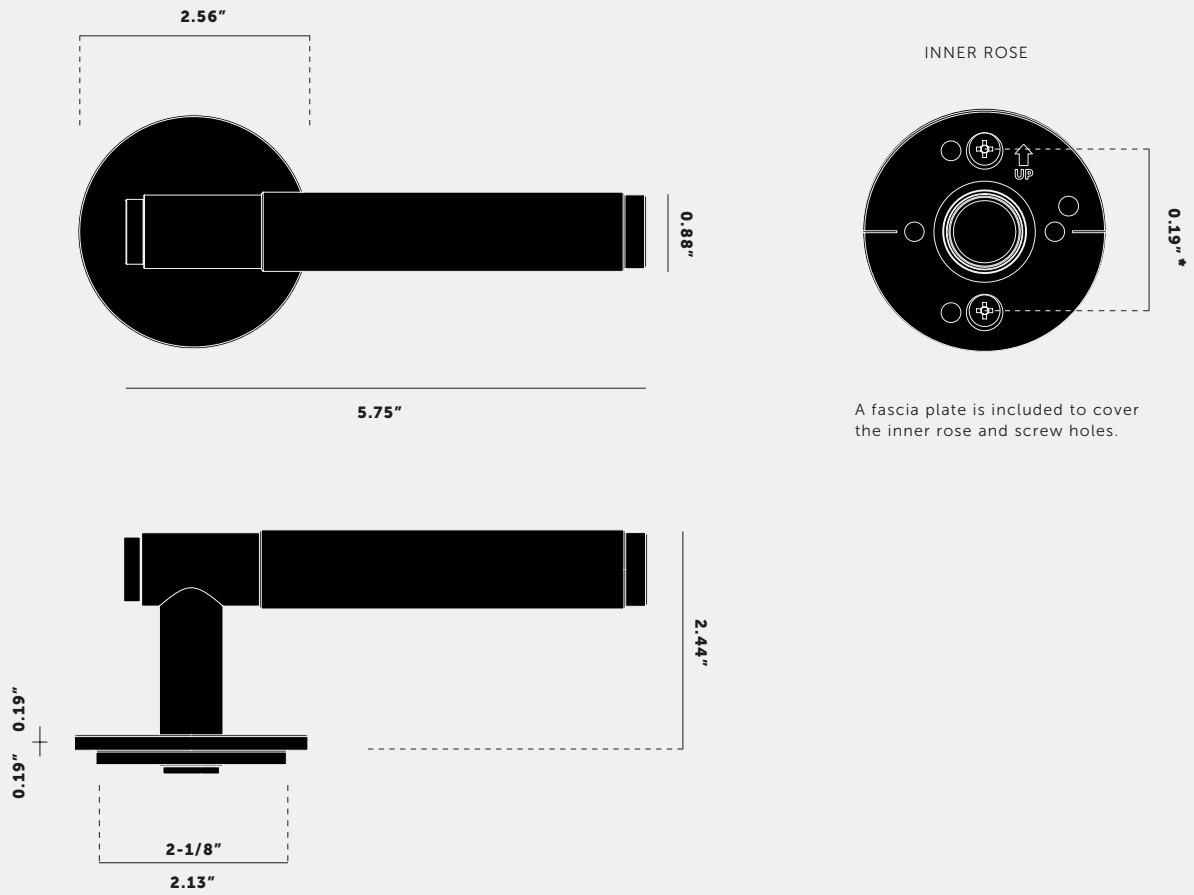
[knurl. **CROSS.**]

A door lever handle made from solid metal. A solid bar with diamond-cut, knurled detailing, ensuring pleasure with every touch. Works great on all internal doors and can be teamed up with our matching door accessories. Available in 4 metal finishes: brass, steel, smoked bronze and black.



[type. **2-1/8" BORE / PASSAGE.**]

[info. **MEASUREMENTS.**]



A fascia plate is included to cover the inner rose and screw holes.

[info. **SPECIFICATIONS.**]

A pair of sprung door lever handles for use with US specification locks and latches.

Compatible with either tubular latches or mortise locks.

USE: Passage interior doors. Minimum door thickness 1 3/8" to maximum door thickness 2" (with supplied fixings).

ROSE: 2 9/10" diameter, 3/16" thick rose to cover a pre-drilled 2 1/8" hole in a door.

SPINDLE: 5/16" x 5/16" square spindle.

[info. **FINISH & SKU NUMBERS.**]

[finish.]

Brass

Steel

Black

Smoked Bronze

[sku.]

NLH-05167

NLH-07169

NLH-02166

NLH-09168

[info. **CARE INSTRUCTIONS.**]

Wipe with damp cloth with no loose hairs, avoid using any chemicals.

All finishes are prone to aging.

[info. **INCLUDED.**]

1 x pair of Door Handles

spindle

2 3/8" backset US privacy tubular latch with through bolt fixings

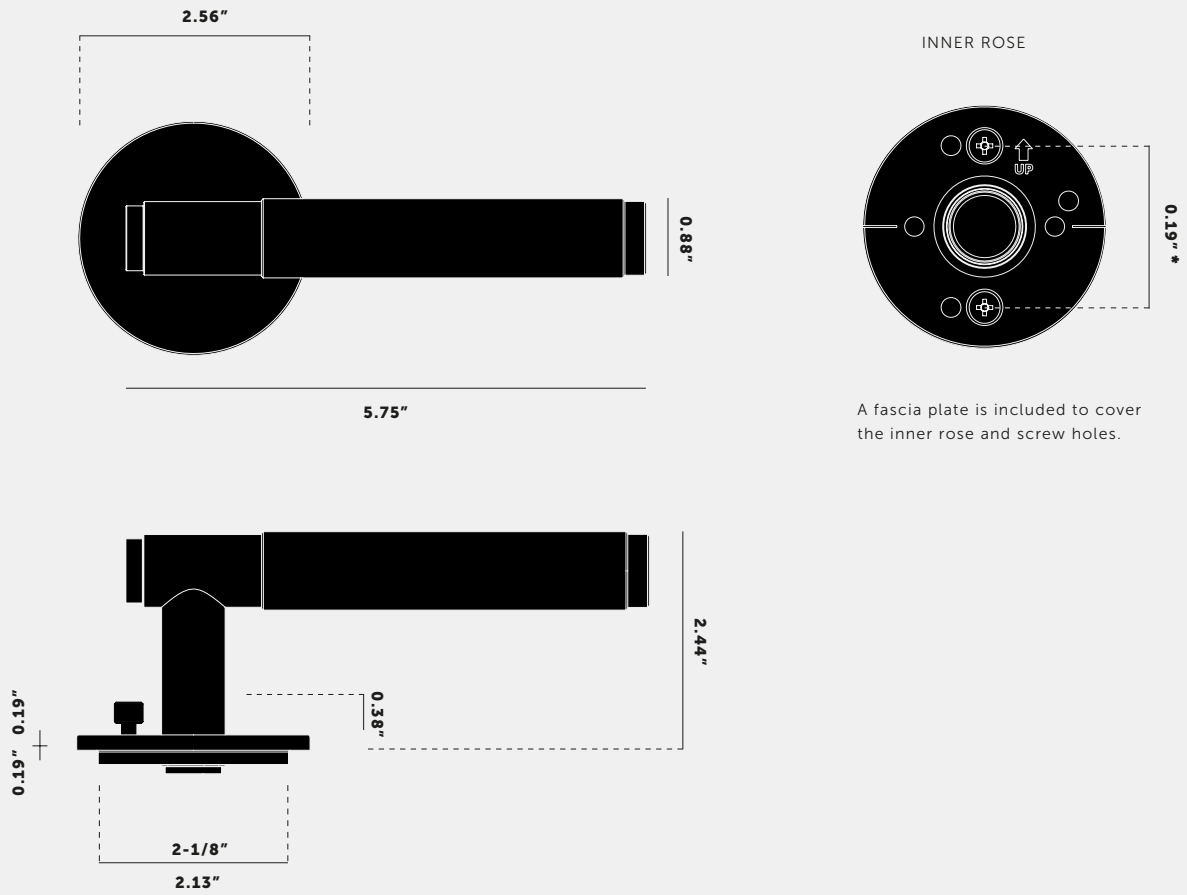
[please. **NOTE.**]

This product is best used with a long backset (82 mm), lightly sprung, two-way rotating tubular latch or mortise lock.

DISCLAIMER: Always consult a trade professional when installing these door handles. Buster + Punch is not responsible for the usage or feasibility of installation requirements. This product is not suitable for damp or wet environments.

[type. **2-1/8" BORE / PRIVACY.**]

[info. **MEASUREMENTS.**]



A fascia plate is included to cover the inner rose and screw holes.

[info. **SPECIFICATIONS.**]

A pair of sprung door lever handles for use with US specification locks and latches.





Compatible with either tubular latches or mortise locks.

USE: Privacy interior doors. Minimum door thickness 1 3/8" to maximum door thickness 2" (with supplied fixings).

ROSE: 2 9/10" diameter, 3/16" thick rose to cover a pre-drilled 2 1/8" hole in a door.

SPINDLE: 5/16" x 5/16" square spindle.

[info. **FINISH & SKU NUMBERS.**]

[finish.]	[sku.]
 Brass	NLH-05179
 Steel	NLH-07181
 Black	NLH-02178
 Smoked Bronze	NLH-09180

[info. **CARE INSTRUCTIONS.**]

Wipe with damp cloth with no loose hairs, avoid using any chemicals.
All finishes are prone to aging.

[info. **INCLUDED.**]

1 x pair of Door Handles

spindle

2 3/8" backset US privacy tubular latch with through bolt fixings

[please. **NOTE.**]

This product is best used with a long backset (82 mm), lightly sprung, two-way rotating tubular latch or mortise lock.

DISCLAIMER: Always consult a trade professional when installing these door handles. Buster + Punch is not responsible for the usage or feasibility of installation requirements. This product is not suitable for damp or wet environments.